

The ETM type B Series addresses the needs of standardized and routine testing, providing the user high quality at the most affordable price. The dual column testing systems are suited for tension and/or compression applications with load range requirements from 10N to 10kN. They are typically used for quality control and production testing.

Typical specimens: Small components, reinforced plastics, metals, wire, composites, elastomers, wood products, textiles, biomaterials, paper products, adhesives, foam, consumer products

New Features

- Non-clutched drives, rated for full speed at maximum force
- Compact design saves lab space
- Wider test width

High Quality at affordable price

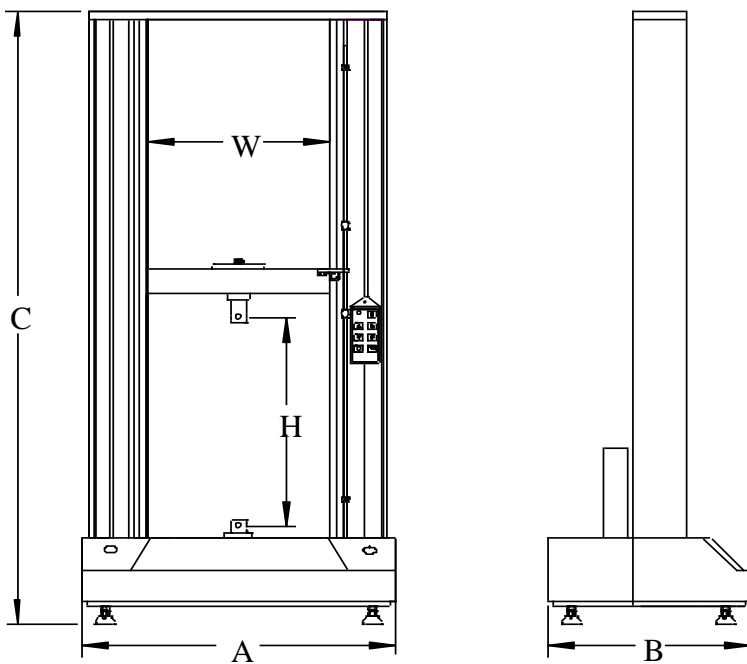
- Pre-loaded ball screws and heavy duty bearings assure long life with zero backlash as well as linear low force and through zero performance. The result is accurate and repeatable measurements that truly represent the specimen characteristics rather than load frame deficiencies
- Fully-protected lead screw covers provide longer life and greater operator protection
- Easy-to-clean aluminum column covers with chamfered corners to facilitate access to the test area. T-slots are built in for simple, convenient attachment and positioning of testing accessories
- High-speed, low vibration, world-class, maintenance-free, imported AC servo motor and servo controller
- Photoelectrical encoder built in servo motor system is for position measurement of crosshead
- Built-in bidirectional load cell is assembled in the middle crosshead to prevent any collisions and simple to perform compression or tension tests
- Dual action over-travel limits on all frames provide the highest level of safety and meet all international standards
- Remote control keypad facilitates test operation
- Full one-year warranty on parts and labor
- Free software upgrading



Full complement of test accessories

Extensive range of accessories to meet test requirements in almost any application or industry: plastics, metals, biomedical, composites, elastomers, components, automotive, aerospace, textiles, and more.

- Tension grip
- Peel/tear fixture
- Compression fixture
- Flexure fixture
- Film COF test fixture
- S type load cells: 10N~5kN
- Long travel extensometer
- Clip-on extensometer
- T-slot table
- Others



Machine dimension:

Frame type	Width x Depth x Height A x B x C (mm)	Crosshead travel H (mm)	Test width W (mm)	Adapter (mm)	Pin (mm)
Standard	728×470×1520	1000	420	Φ20	Φ10

Specifications:

Model	ETM101,ETM201,ETM501,ETM102,ETM202, ETM502,ETM103,ETM203,ETM503,ETM104
Type	Type B, dual column, table-top
Capacity	10N,20N,50N,100N,200N,500N,1kN,2kN,5kN,10kN
Calibration standard	ISO 7500, Class 1 / Class 0.5
Force range	0.2% ~ 100%FS / 0.4 ~ 100%FS
Force accuracy	±1.0% / ±0.5% of reading
Force resolution	1/500000FS
Position accuracy	±0.50% of reading
Position resolution	0.027μm
Crosshead speed	0.001 ~ 500mm/min
Crosshead speed accuracy	within ±1.0% / ±0.5% of set speed
Crosshead travel	1000mm
Test width	420mm
Dimension (WidthxDepthxHeight)	728 x 470 x 1520 (mm)
Power requirement	Single phase, 220±10% VAC, 50/60Hz, 400W
Weight	150kg

Shipping information:

Package	Particleboard pallets and plywood case, Or fumigated wood case
Crated dimension (Width x Depth x Height)	940*820*1740mm
Crated weight	250kg



Shenzhen Wance Testing Machine Co., Ltd.

No.9, Shuiku Road, Tangwei,

Guangming District, Shenzhen 518107, China

Tel: +86-755-23057280 Fax: +86-755-23057995

Email: sales@wance.net.cn

www.wance.net